

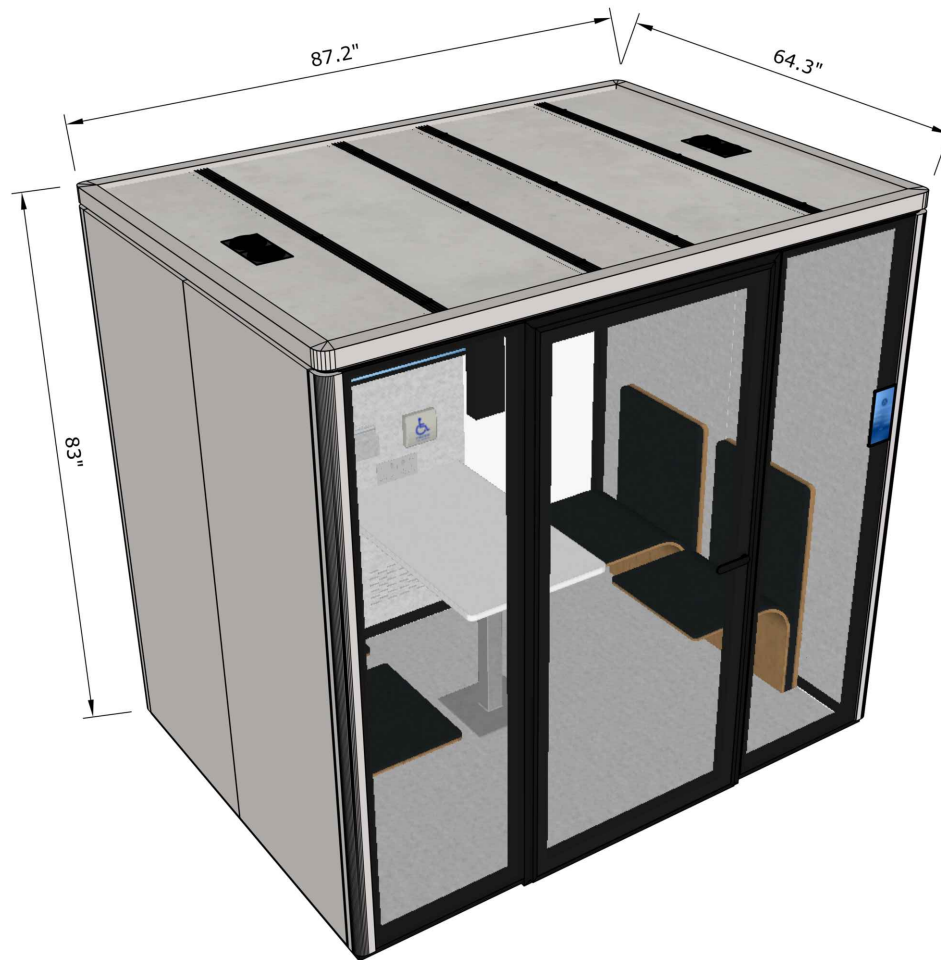
ELEMENTS ADA POD
87.2" x 64.3" x 83"

ADA ROOM

COVER PAGE

SCALE: AS SHOWN

SHEET NO.: A



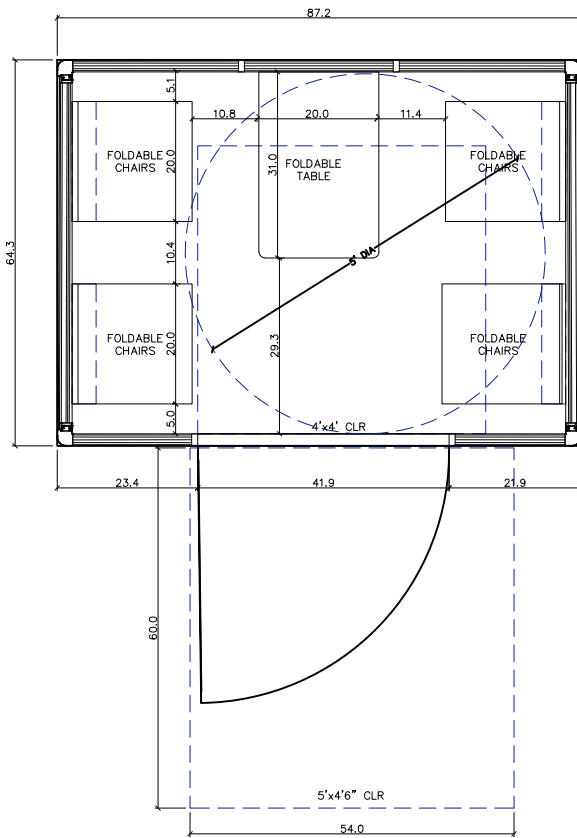
ELEMENT ADA 3D PERSPECTIVE DRAWING
3D VIEW

ADA ROOM

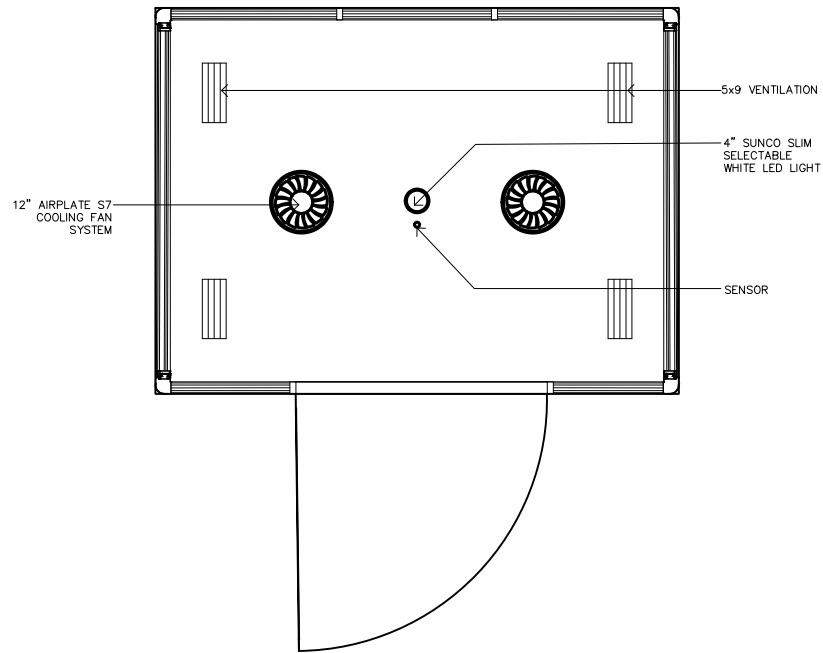
3D VIEW

SCALE: AS SHOWN

SHEET NO.: B



FLOOR PLAN



CEILING PLAN

NOTE: DRAWING IS NOT TO SCALE
ALL DIMENSIONS ARE IN INCHES

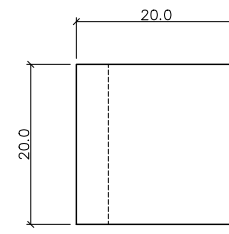
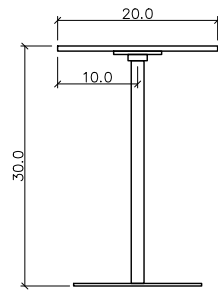
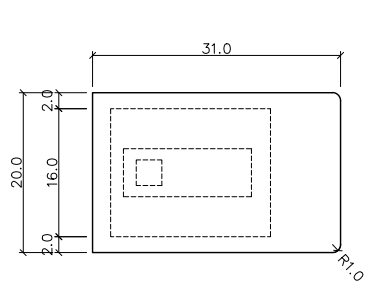
ADA ROOM

FLOOR PLAN

SCALE: AS SHOWN

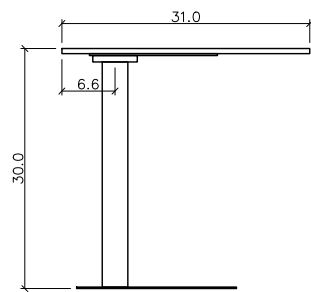
SHEET NO.: C

FURNITURE DIMENSIONS

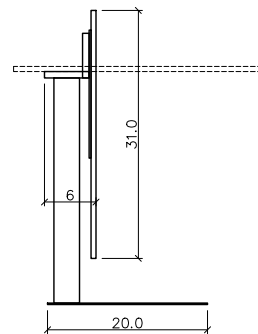


FRONT ELEVATION

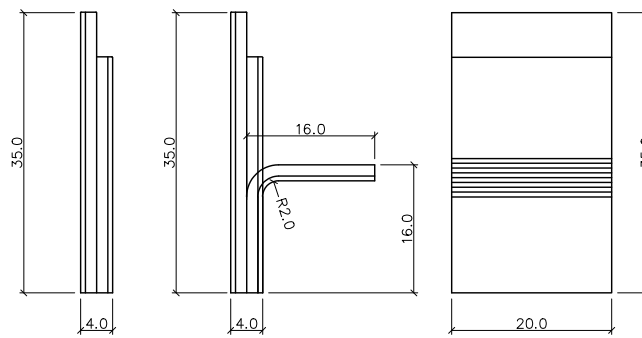
PLAN



SIDE ELEVATION



FOLDABLE TABLE



SIDE ELEVATION

FRONT ELEVATION

FOLDABLE CHAIR

NOTE: DRAWING IS NOT TO SCALE
ALL DIMENSIONS ARE IN INCHES

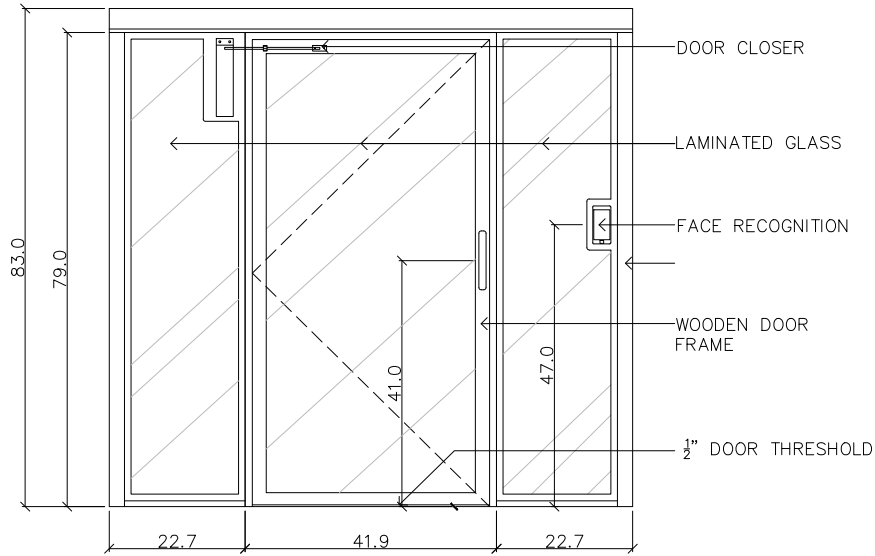
ADA ROOM

FURNITURE DIMENSIONS

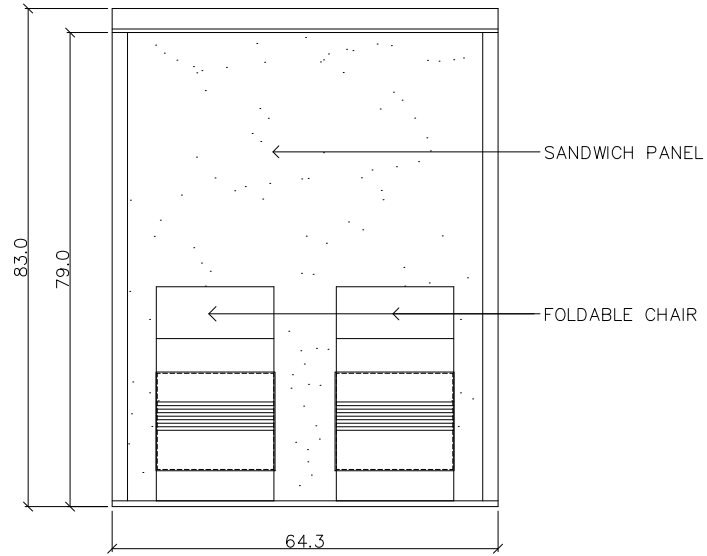
SCALE: AS SHOWN

SHEET NO.: D

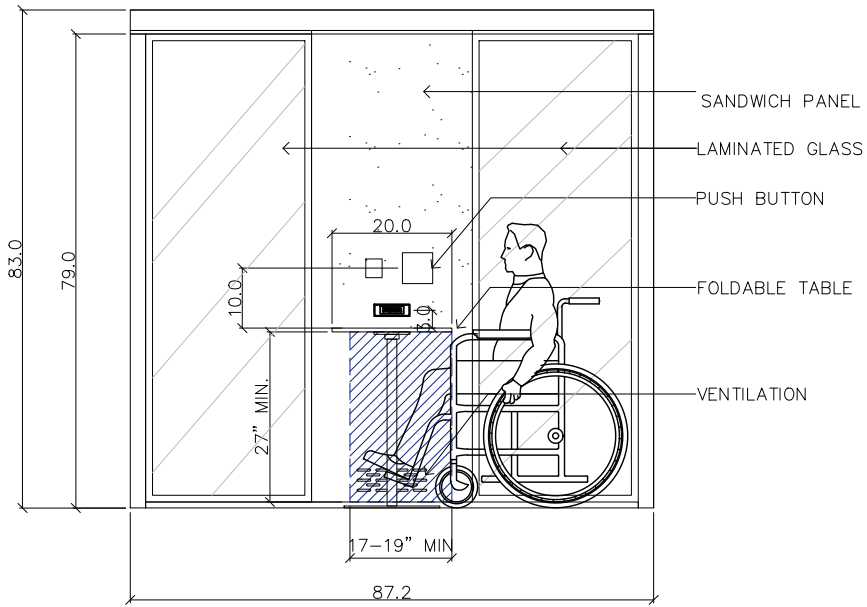
DETAILED- ELEVATION LAYOUT



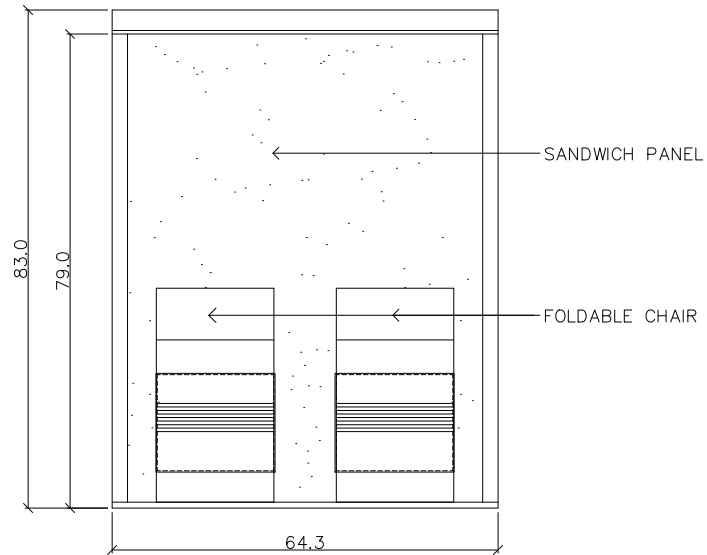
EXTERIOR ELEVATION 1



INTERIOR ELEVATION 2



INTERIOR ELEVATION 3



INTERIOR ELEVATION 4

NOTE: DRAWING IS NOT TO SCALE
ALL DIMENSIONS ARE IN INCHES

ADA ROOM

ELEVATIONS

SCALE: AS SHOWN

SHEET NO.: E