



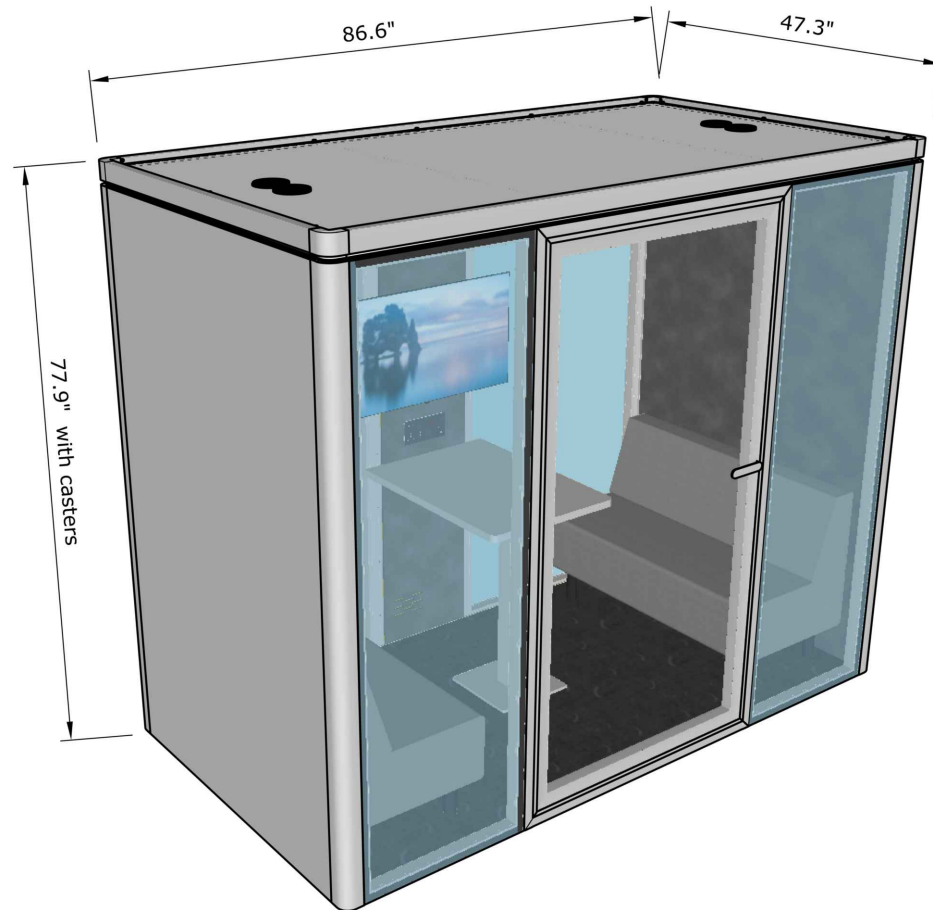
ELEMENTS EVENT POD
86.6" x 47.3" x 77.9"

EVENT ROOM

COVER PAGE

SCALE: AS SHOWN

SHEET NO.: A



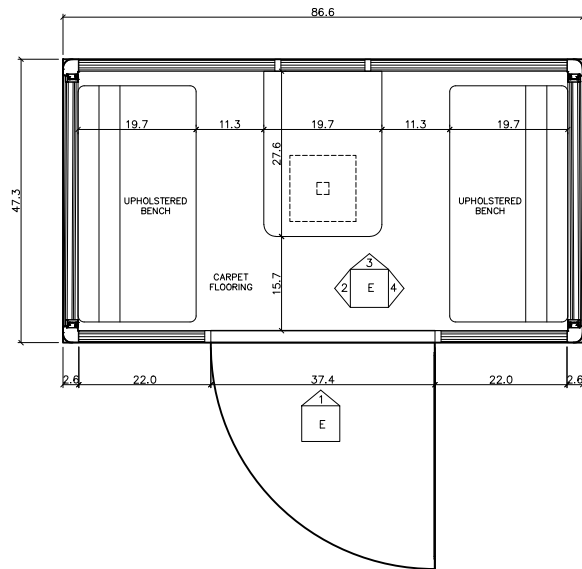
ELEMENT EVENT 3D PERSPECTIVE DRAWING
3D VIEW

EVENT ROOM

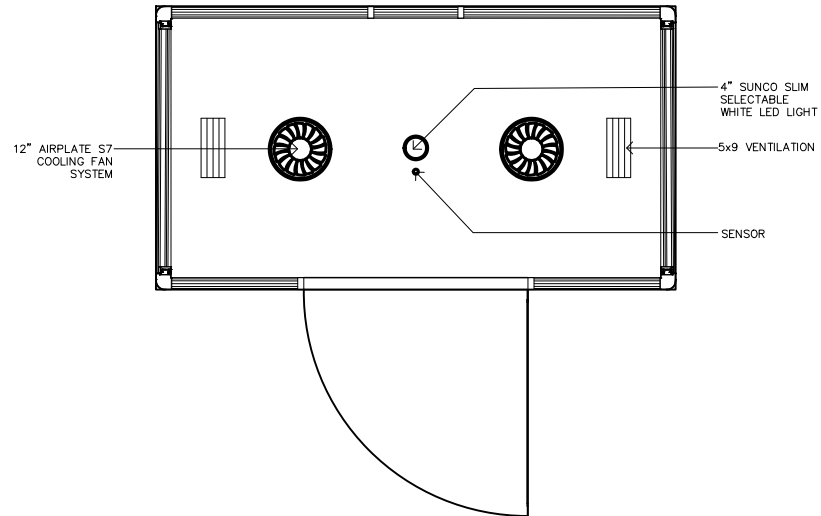
3D VIEW

SCALE: AS SHOWN

SHEET NO.: B



FLOOR PLAN OPTION 1



CEILING PLAN

NOTE: DRAWING IS NOT TO SCALE
ALL DIMENSIONS ARE IN INCHES

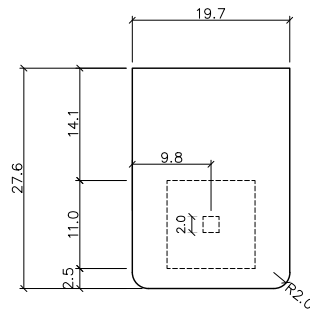
EVENT ROOM

FLOOR PLAN

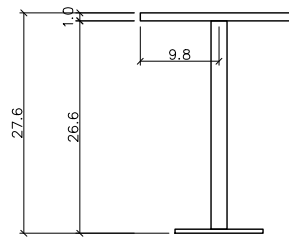
SCALE: AS SHOWN

SHEET NO.: C

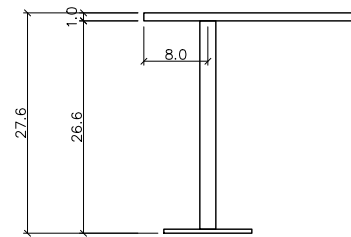
FURNITURE DIMENSIONS



PLAN

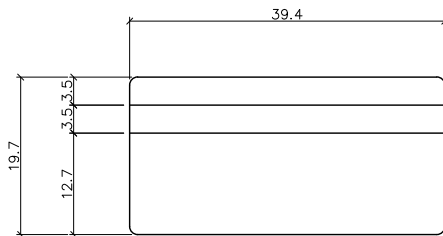


FRONT ELEVATION

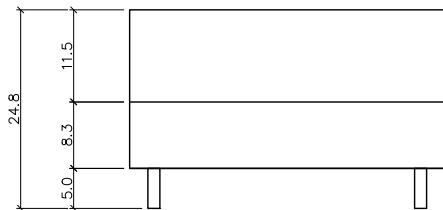


SIDE ELEVATION

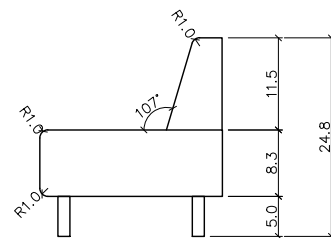
MEETING TABLE



PLAN



FRONT ELEVATION



SIDE ELEVATION

BENCH

NOTE: DRAWING IS NOT TO SCALE
ALL DIMENSIONS ARE IN INCHES

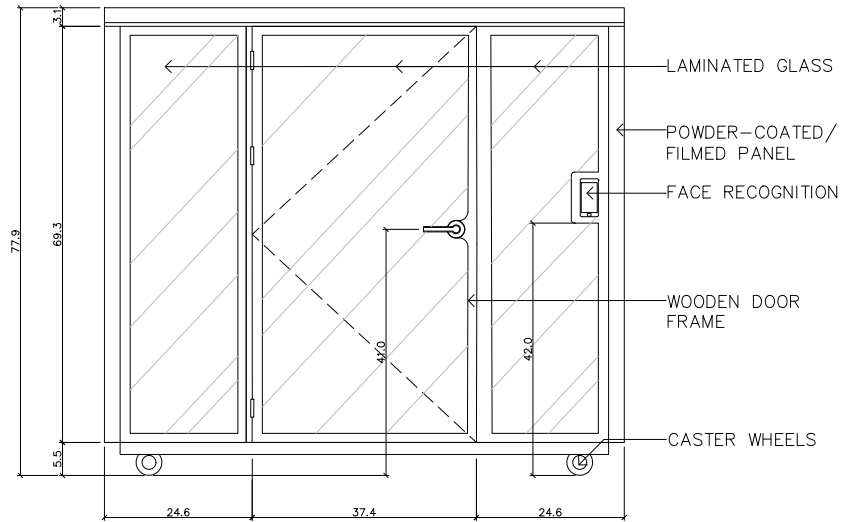
EVENT ROOM

FURNITURE DIMENSIONS

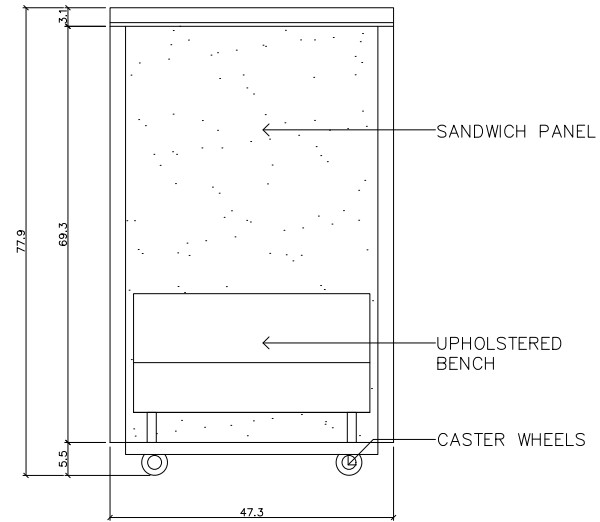
SCALE: AS SHOWN

SHEET NO.: D

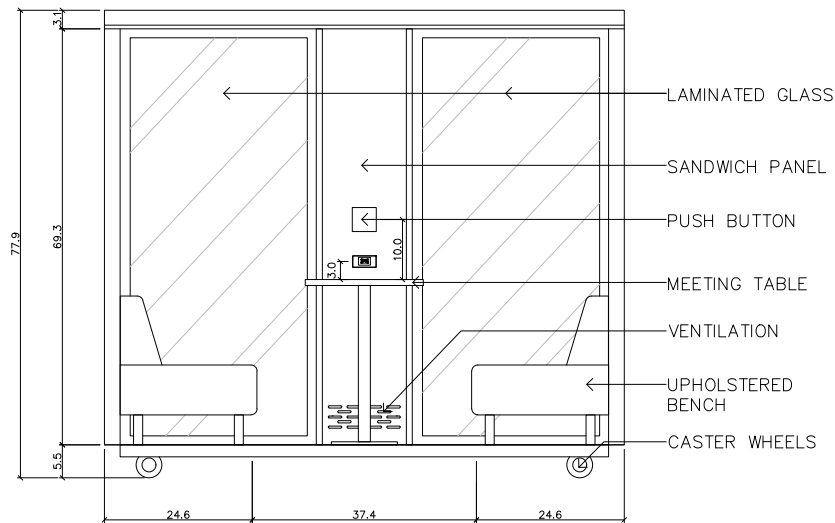
DETAILED- ELEVATION LAYOUT



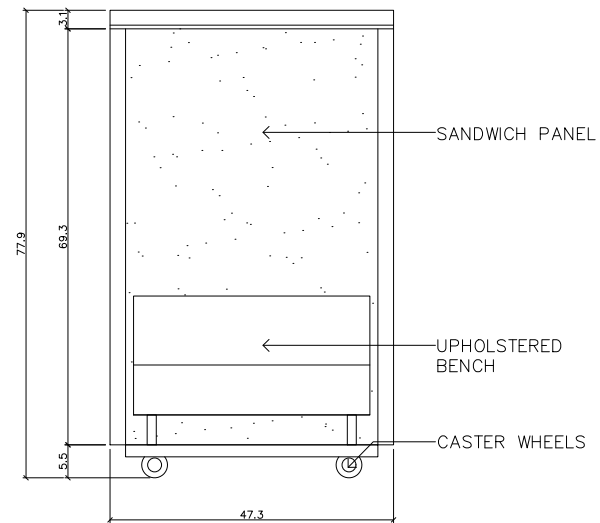
EXTERIOR ELEVATION 1



INTERIOR ELEVATION 2



INTERIOR ELEVATION 3



INTERIOR ELEVATION 4

NOTE: DRAWING IS NOT TO SCALE
ALL DIMENSIONS ARE IN INCHES

EVENT ROOM

ELEVATIONS

SCALE: AS SHOWN

SHEET NO.: E