

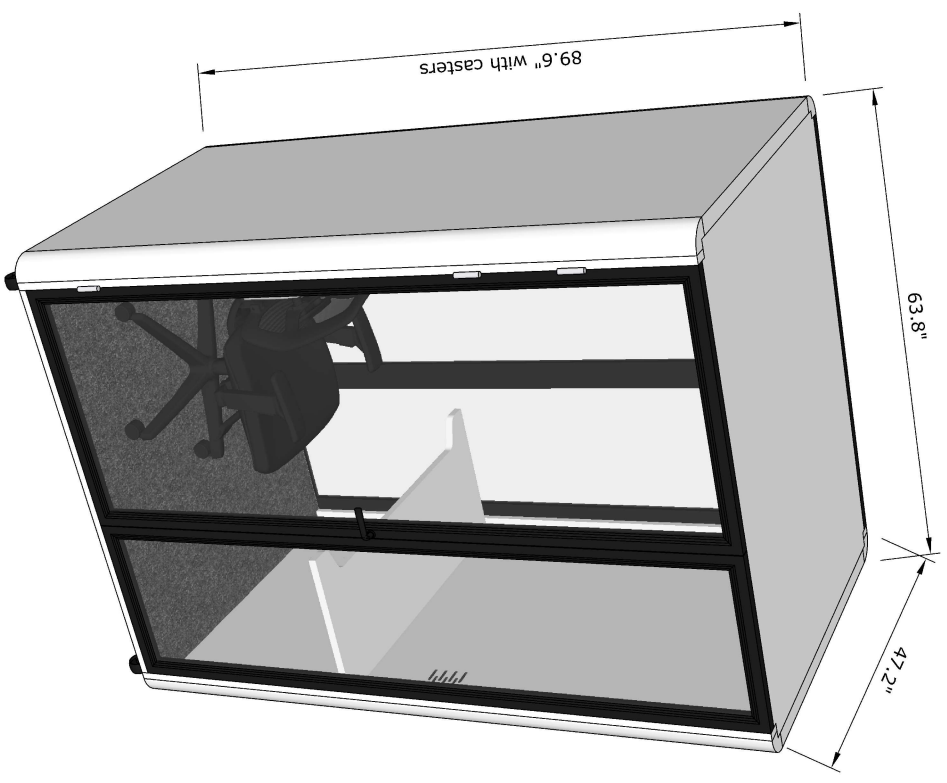
ELEMENT FOCUS POD
63.8" X 47.2" X 89.6"

FOCUS ROOM

COVER PAGE

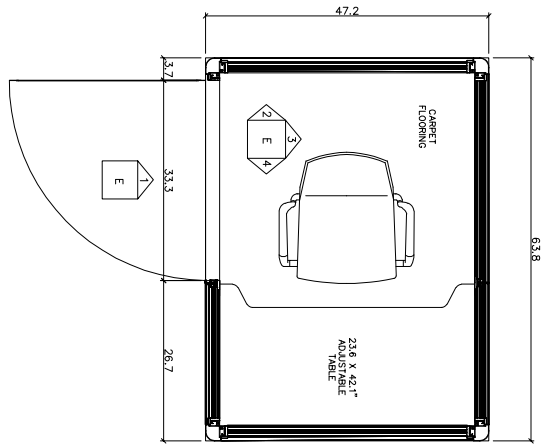
SCALE: AS SHOWN

SHEET NO.: A

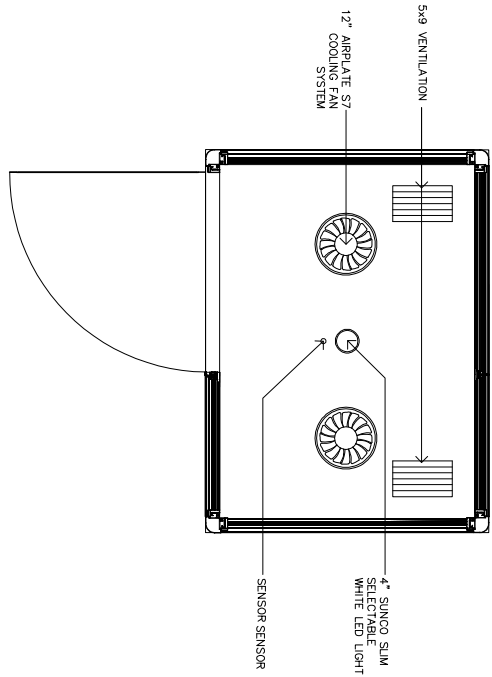


ELEMENT FOCUS 3D PERSPECTIVE DRAWING
3D VIEW

FOCUS ROOM
3D VIEW
SCALE: AS SHOWN
SHEET NO.: B



FLOOR PLAN

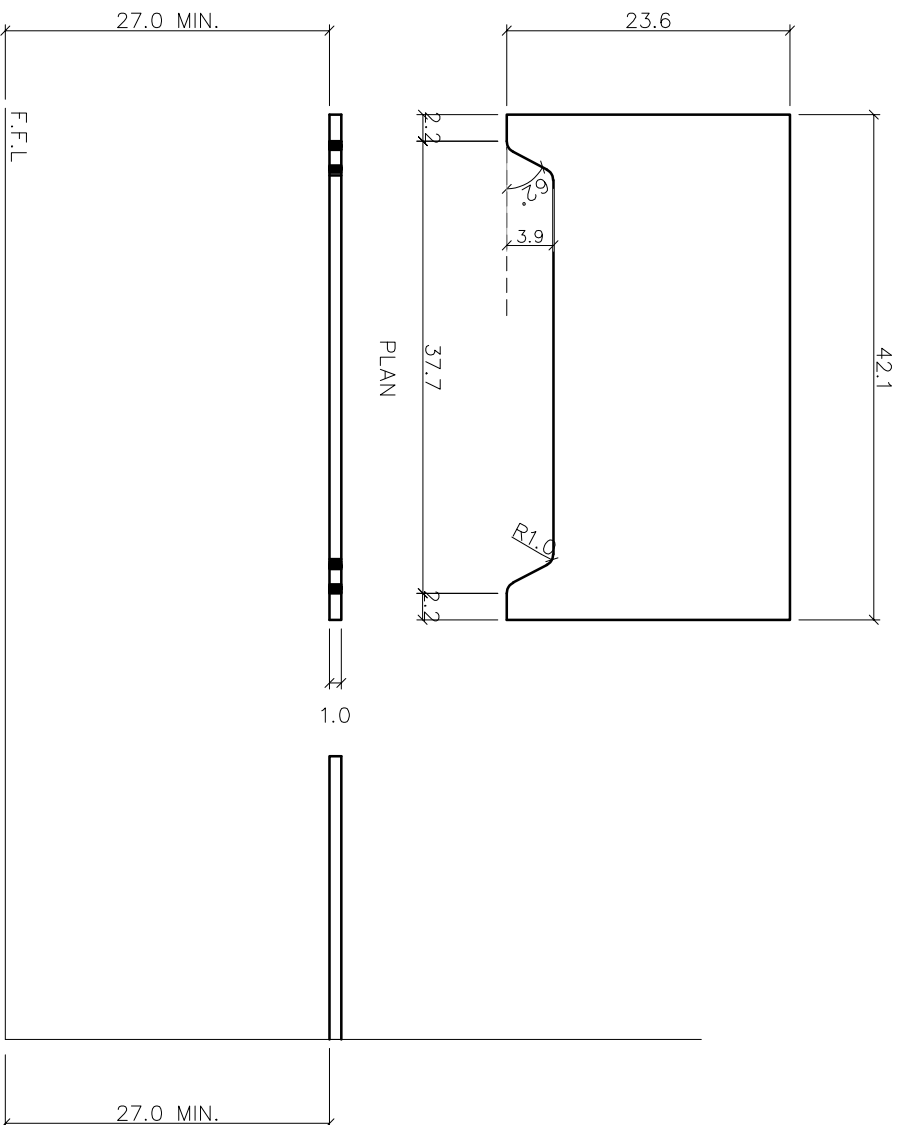


CEILING PLAN

NOTE: DRAWING IS NOT TO SCALE
ALL DIMENSIONS ARE IN INCHES

FOCUS ROOM
FLOOR PLAN
SCALE: AS SHOWN
SHEET NO.: C

ADJUSTABLE TABLE DIMENSIONS



ADJUSTABLE TABLE

NOTE: DRAWING IS NOT TO SCALE
ALL DIMENSIONS ARE IN INCHES



ZenSpace

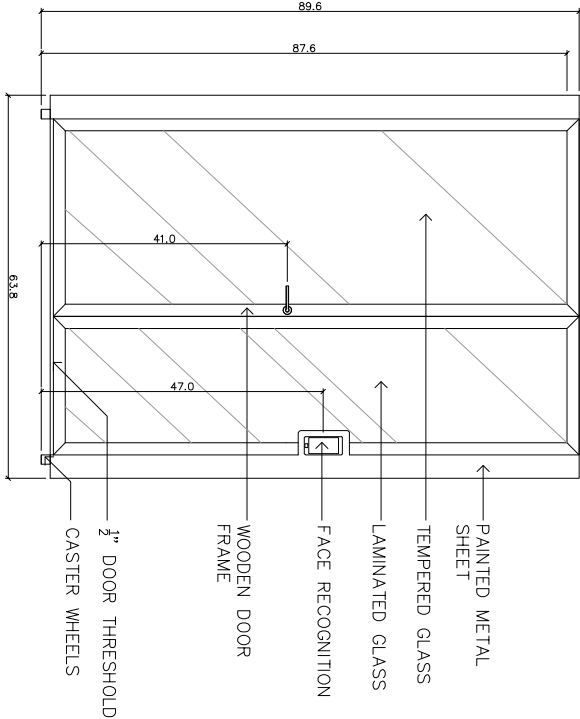
FOCUS ROOM

ADJUSTABLE TABLE
DIMENSIONS

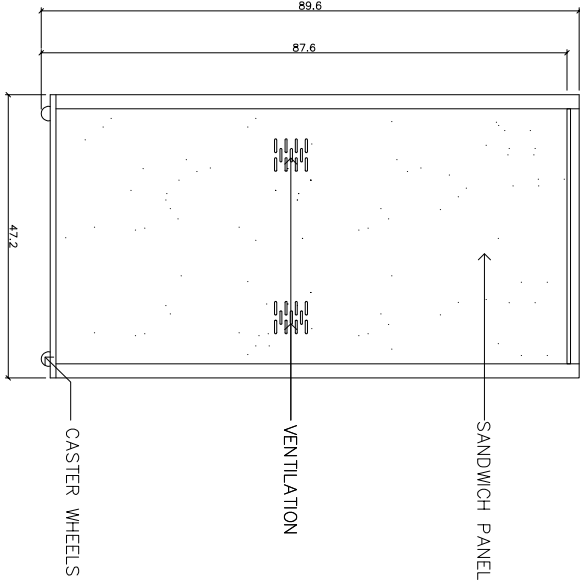
SCALE: AS SHOWN

SHEET NO.: D

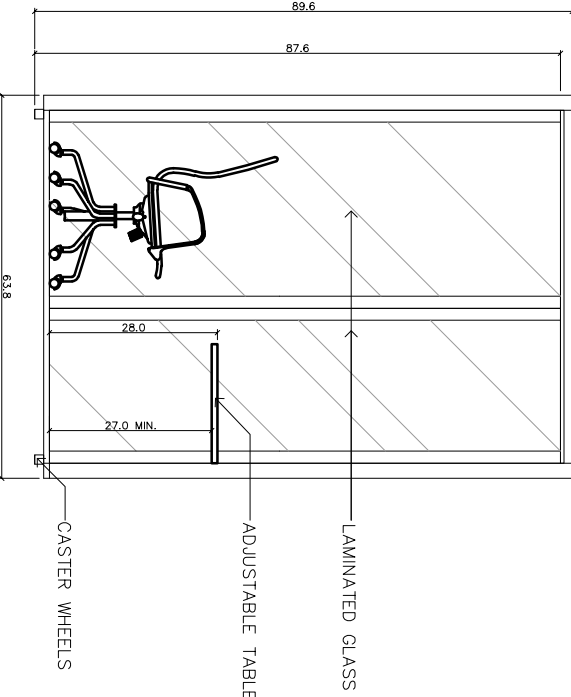
DETAILED- ELEVATION LAYOUT



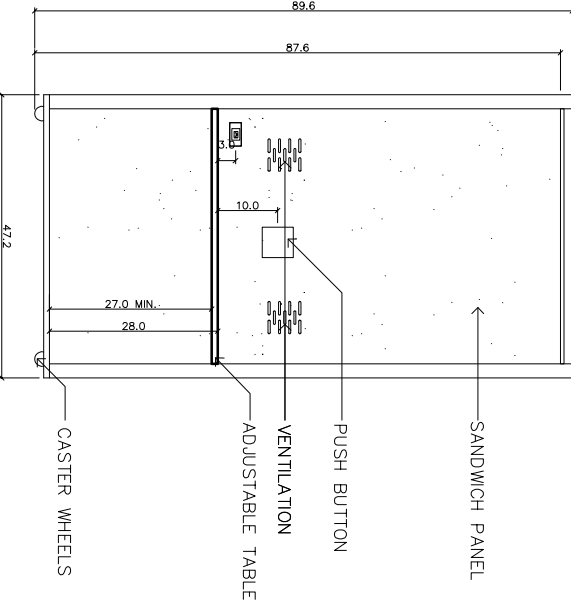
EXTERIOR ELEVATION 1



INTERIOR ELEVATION 2



INTERIOR ELEVATION 3



INTERIOR ELEVATION 4

NOTE: DRAWING IS NOT TO SCALE
ALL DIMENSIONS ARE IN INCHES